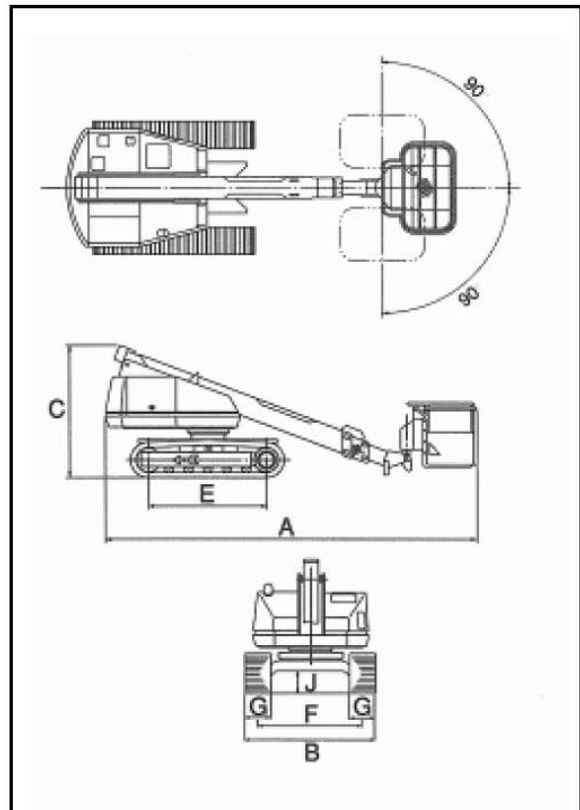
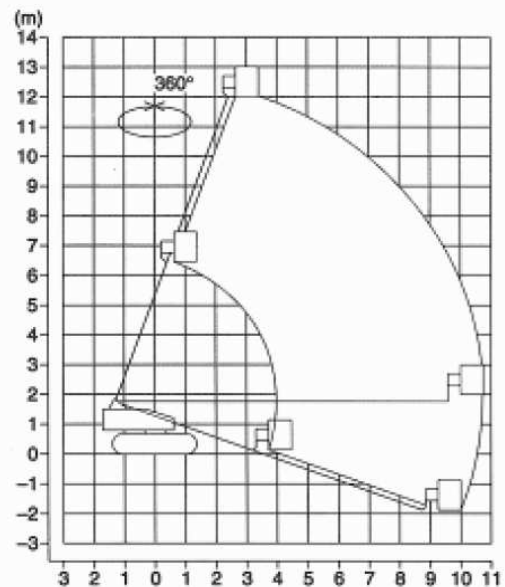


Technical specification for the SR-123

Model Number & Name	
Model	SR-123
Name	Crawler type self-propelled aerial platform
Platform	
Max. load capacity	250 kgs
Max. platform height	12.0 m
Max. horizontal outreach	10.6 m
Platform inner size (standard)	1.83 m x 0.75 m x 1.1 m
Platform inner size (option)	2.4 m x 0.75 m x 1.1 m
Platform rotator	180 degrees hydraulic
Boom	
Boom length	5.9 - 10.9 m
Slewing device	
Slewing angle	360 degrees, continuous
Slewing speed	0.54 upm
Travelling	
Traveling Speed	0 - 2.6 km/h
Gradeability stowed	> 65 %
Dimension Data	
A: Overall Length	6330 mm
B: Overall Width	2150 mm
C: Overall Height	2200 mm
J: Ground Clearance	360 mm
E: Tumbler center distance	2050 mm
F: Crawler center distance	1700 mm
G: Crawler shoe width	450 mm
Gross Vehicle Weight	7650 kgs
Max. ground pressure	0.66 kg/cm ²
Power Source	
Name and type	Isuzu 4JB1
Max. output	41 KW
Displacement	2771 ccm
Voltage	24 V
Fuel Tank Capacity	108 l
Hydraulics	
Pressure	210 kgf/cm ²
Reservoir capacity	170 l



SR-123



Notes:

1. The deflection of the boom is not taken into consideration in the chart.